

ADAPTER Series

45W

FEATURES

- 40°C real wattage
- Safety certified : CB, EMC, CE
- Meet with DOE & COC level VI
- Compliance with IEC/EN 62368-1
- Input voltage range for Worldwide
- Support 5,000M area usage for China CCC
- Quality assurance by world' s major notebook brands/makers
- Interchangeable laptop tips to support main-stream notebooks & ultrabooks charging

ADD021

Dimension : L91*W44*H26mm
Total Max Power : 45W



INPUT SPEC.

Input Voltage	Input Frequency	Input Current
90~264Vac	47~63Hz	1.4A@90Vac
Efficiency		
88+% @115 & 230Vac input		

OUTPUT SPEC.

Output Voltage	Load Range Min.	Load Range Max.	Max Load (V)	Rated Power Wattage
19V	0A	2.37A	18.05V~20.4V	45W

- Ripple Noise: Ripple with spike noise $\leq 380\text{mVp-p}$
- Hold-up Time: 5ms min.@115Vac input, full load
- Turn-on Delay: less than 5 sec. for all lines & loads

ENVIRONMENTAL SPEC.

- Operating Temperature: 0 ~ 40°C
- Storage Temperature: -31 ~ 60°C

APPLICATION

- NB
- Mini ITX
- Printer
- PC system
- Display device

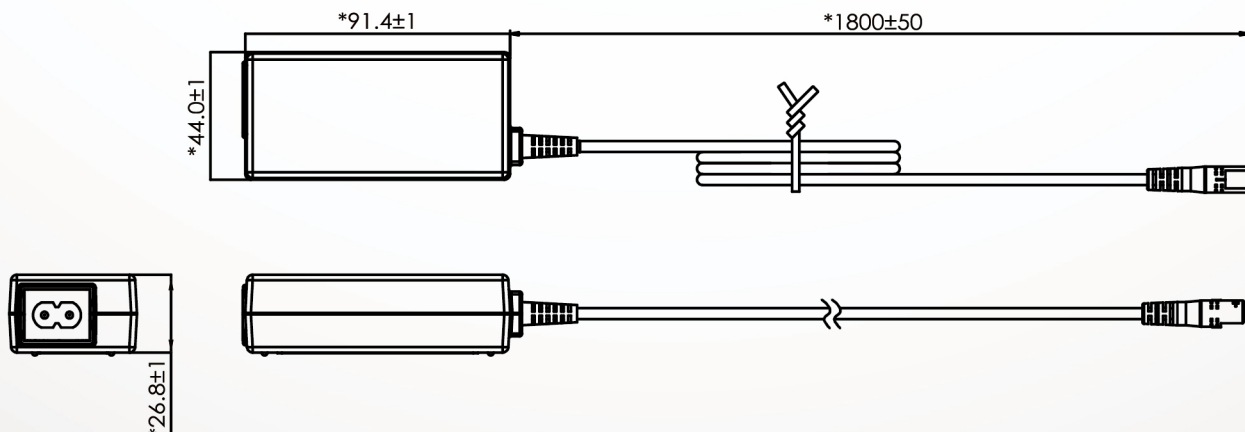
GENERAL SPEC.

- Power protection: OVP, UVP, SCP, OTP, OCP
- AC Inlet: C8 (2Pin)
- Weight: 175g

*NOTE :

- 1) Tips information please refer to Compatibility List.
- 2) Not compatible with ALL model laptops for these brands.
- 3) Please check your notebook Tip dimension and Voltage before ordering.

OUTLINE DRAWING



ADAPTER Series